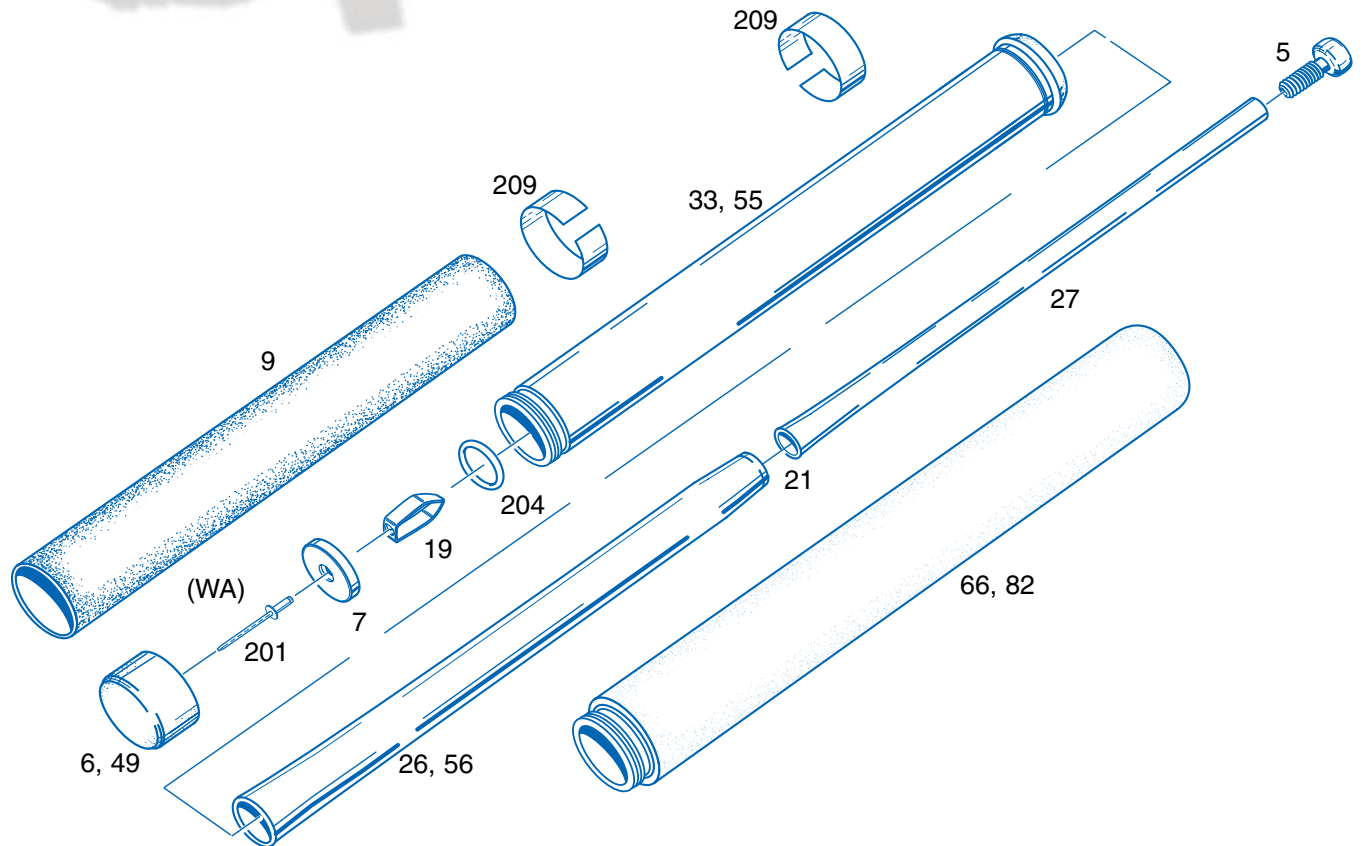
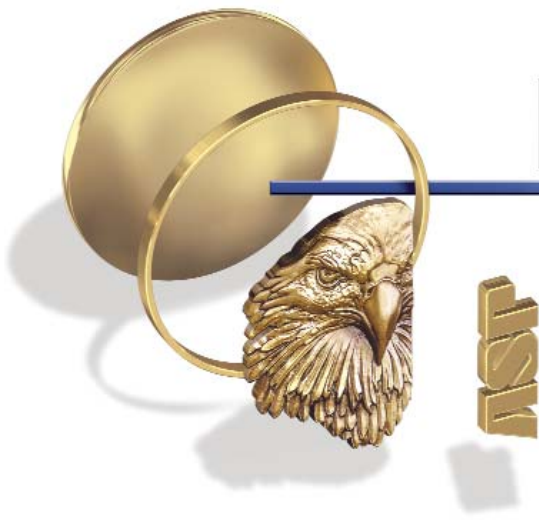


F21 DATABASE



Handle		
Black	33	24.10
Electroless	33E	25.60
Airweight (Aluminum)	55	23.55
Federal	66	20.55
DuraTec (Aluminum)	82	18.50
Middle Tube		
Black	26B	11.55
Chrome	26C	10.35
Electroless	26E	11.95
Gold (Presentation)	26G	28.10
Airweight	56	19.50
End Tube		
Black	27B	13.00
Chrome	27C	11.80
Electroless	27E	13.10
Gold (Presentation)	27G	29.60

Tip		
Black	5B	1.40
Chrome	5C	1.15
Electroless	5E	.95
Gold (Presentation)	5G	12.45
Shaft Assembly*		
Airweight	21A	33.90
Black	21B	25.95
Chrome	21C	23.30
Electroless	21E	26.00
Gold (Presentation)	21G	70.15
Cap		
Black	6	2.30
Electroless	6E	1.95
Airweight	49	2.95
Retaining Clip Assembly** (WA)		
Washer	7	1.10
Retaining Clip	19	.25
Rivet	201	.15
Grip		
	9	1.90
O-Ring		
	204	.05
Tape		
	209	5.00/roll

* Shaft Assembly consists of the Middle Tube, End Tube and Tip
 ** Retaining Clip Assembly consists of the Washer, Retaining Clip and Rivet