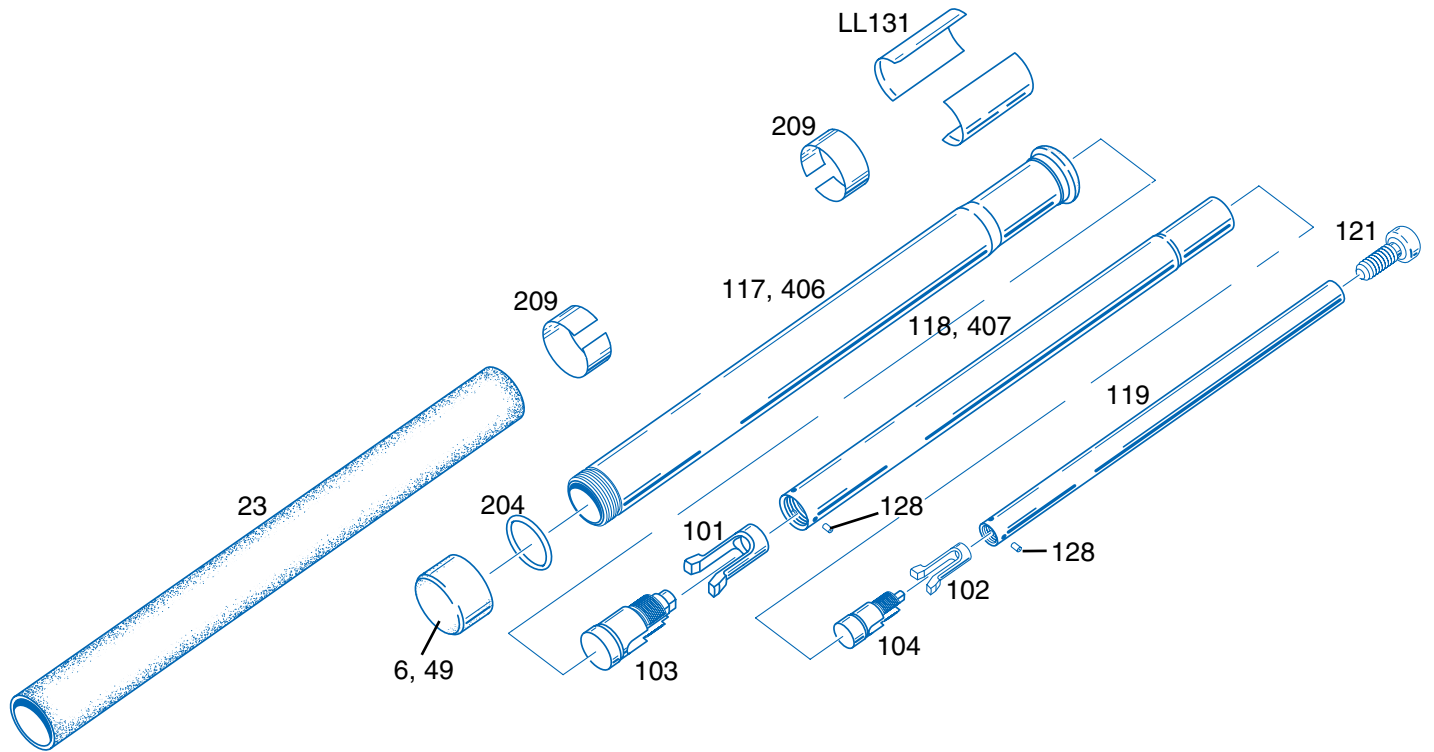


L26 DATABASE



Handle			
Black	117B	32.00	
Electroless	117E	30.00	
Airweight	406A	36.00	
Middle Tube			
Black	118B	21.00	
Chrome	118C	21.00	
Electroless	118E	23.00	
Airweight	407A	31.00	
End Tube			
Black	119B	14.00	
Chrome	119C	14.00	
Electroless	119E	16.00	
Tip			
Black	121B	3.00	
Chrome	121C	3.00	
Electroless	121E	4.00	

Shaft Assembly*			
Black	LL26B	82.50	
Chrome	LL26C	82.50	
Electroless	LL26E	87.50	
Airweight	LL26A	115.50	
Cap			
Black	6	2.30	
Electroless	6E	1.95	
Airweight	49	2.95	
Large Locking Lug	101	14.00	
Small Locking Lug	102	12.00	
Large Plug	103	10.00	
Small Plug	104	8.00	
O-Ring	204	.05	
Grip	23	3.50	
Tape	209	5.00/roll	
Spacer Sleeves	LL131	1.00/set	
Tube Stop Pin	128	.25	

* Shaft Assembly consists of the Middle Tube, End Tube and Tip