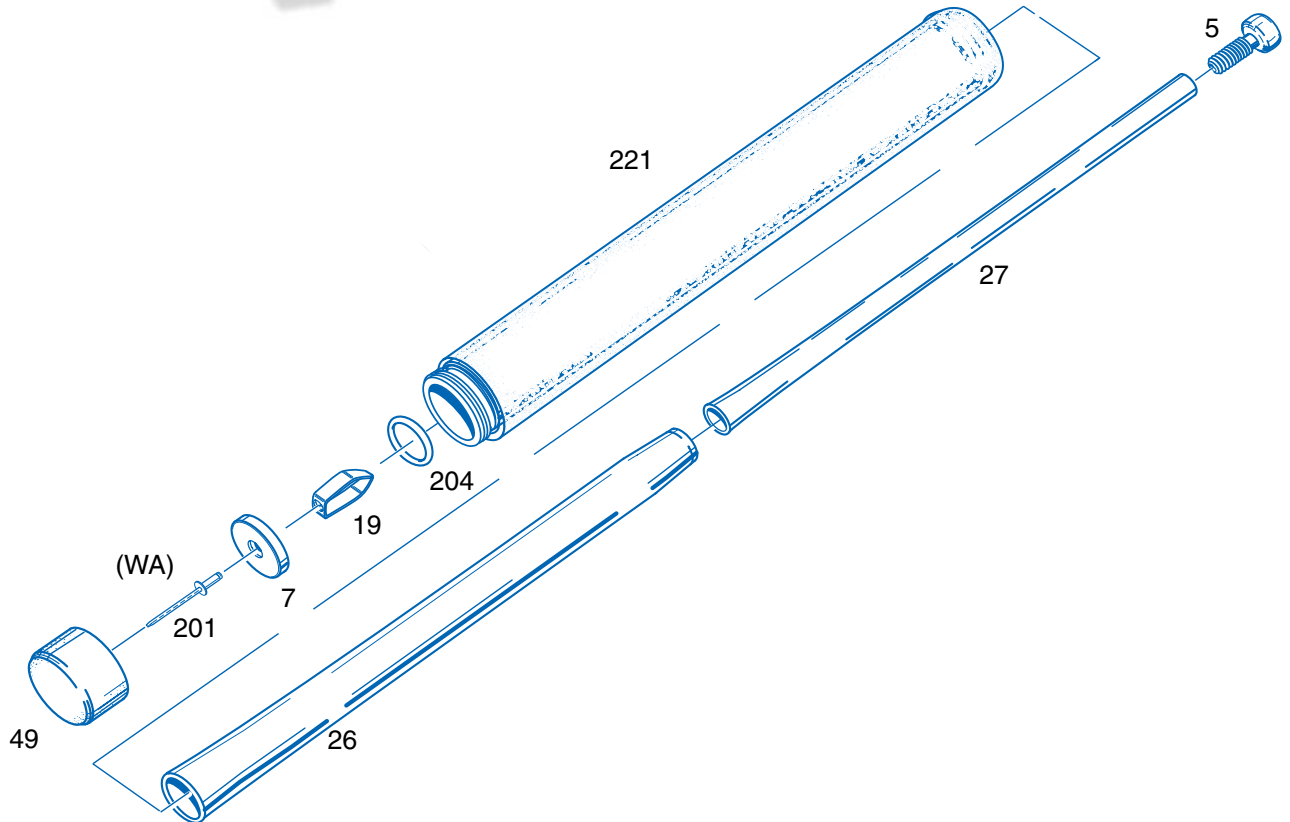


21 Sentry Baton DATABASE



Handle	221	20.55
Middle Tube		
Black	26B	11.55
End Tube		
Black	27B	13.00
Tip		
Black	5B	1.40
Shaft Assembly*		
Black	21B	25.95
Cap		
Airweight	49	2.95
Retaining Clip Assembly** (WA)		1.50
Washer	7	1.10
Retaining Clip	19	.25
Rivet	201	.15
O-Ring	204	.05

* Shaft Assembly consists of the Middle Tube, End Tube and Tip
 ** Retaining Clip Assembly consists of the Washer, Retaining Clip and Rivet