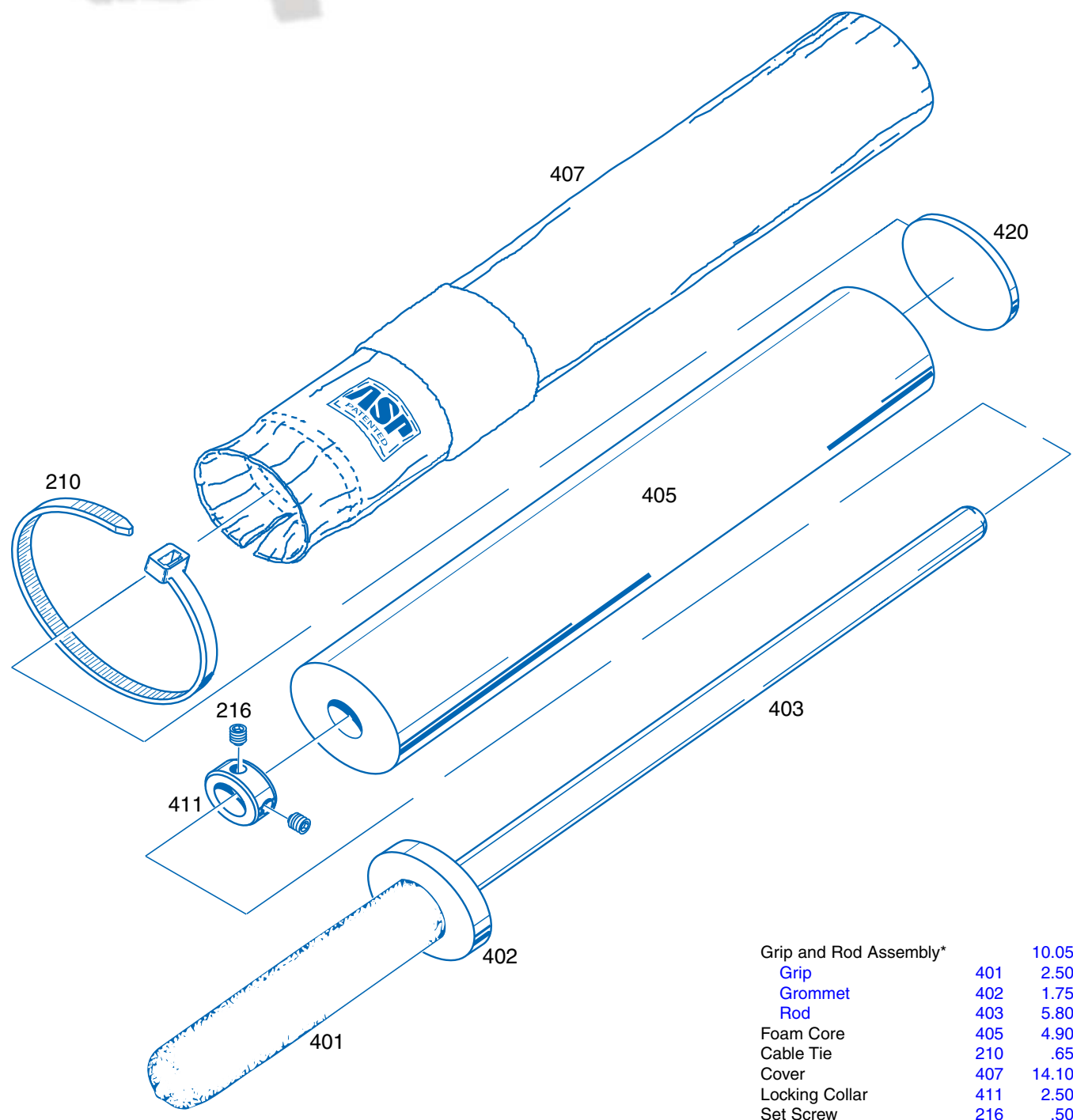


F21 Training Baton
DATABASE



Grip and Rod Assembly*	10.05
Grip	401 2.50
Grommet	402 1.75
Rod	403 5.80
Foam Core	405 4.90
Cable Tie	210 .65
Cover	407 14.10
Locking Collar	411 2.50
Set Screw	216 .50
Tip Disk	420 .55

* Grip and Rod Assembly consists of Part Numbers 401, 402 and 403.