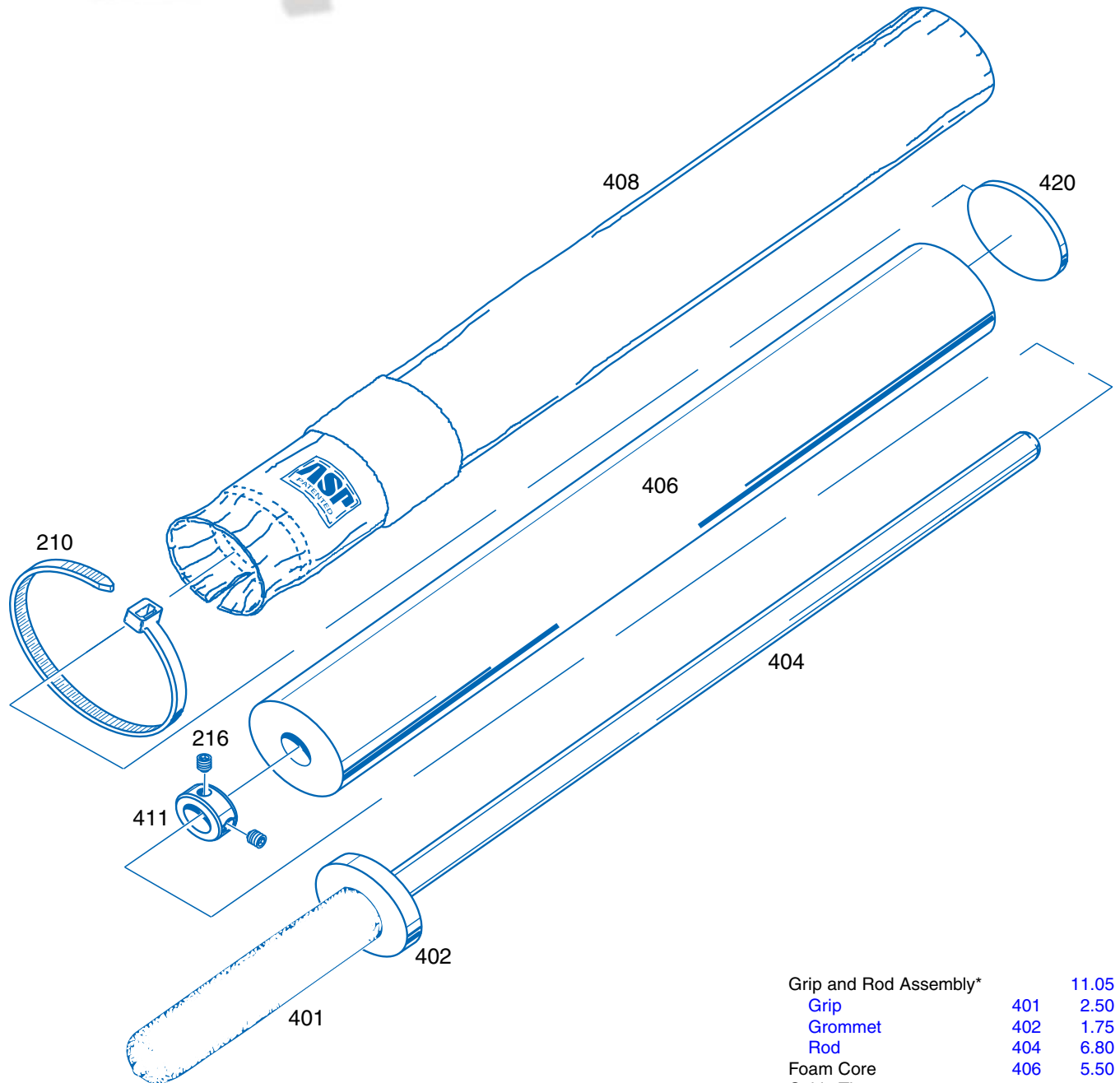


# F26 Training Baton DATABASE



Grip and Rod Assembly*		11.05
Grip	401	2.50
Grommet	402	1.75
Rod	404	6.80
Foam Core	406	5.50
Cable Tie	210	.65
Cover	408	14.20
Locking Collar	411	2.50
Set Screw	216	.50
Tip Disk	420	.55

\* Grip and Rod Assembly consists of Part Numbers 401, 402 and 404.